

Outdoor Full-Color

4G Pan Tilt Network Camera

MODEL: VIGI C540-4G (4mm)



4MP | H.265+

VIGI C540-4G(4mm)



4G Mobile
Networking



Human & Vehicle
Classification



Smart Detection



Powerful Pan Tilt



IP66

// Human & Vehicle Classification

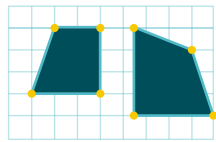
Intelligently distinguishes humans and vehicles from other objects, so you receive more accurate event notifications.



// Smart Detection



**Motion
Detection**



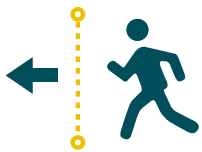
**Region
Intrusion**



**Object Removal
Detection**



**Region Exiting
Detection**



Line-Crossing



**Camera
Tampering**



**Object Abandoned
Detection**



**Region Entering
Detection**

// SmartVid



Smart IR

Keeps objects from being under-rendered when far away or overexposed when close to camera at night.



Wide Dynamic Range

Adjusts for lighting contrast to minimize shadowing effects and renders images true to life.



3D DNR

Removes abnormal pixelation to provide clearer video and eliminate distortion.

// VIGI Surveillance Solution

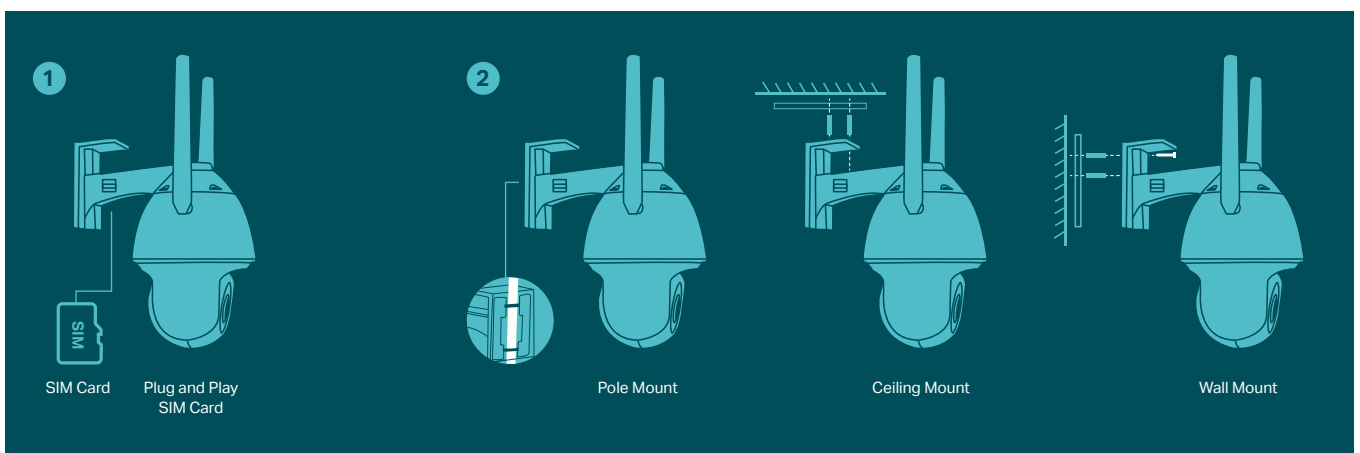
The VIGI professional surveillance system by TP-Link is dedicated to protecting the business that you've worked hard to build—whenever, wherever.

Outstanding functions, reliable quality guarantees, and simplified installation work together to ensure your business stays safe and sound.



// Flexible Installation

1. Just insert a Nano-SIM card**, then your camera is ready to connect to a 4G LTE network.
2. Find the perfect vantage point by simply securing your camera to an over-head, wall, or pole.**



// Specifications

Camera	
Product Model	VIGI C540-4G (4mm)
Image Sensor	1/3.06" Progressive Scan CMOS
Min. Illumination	Color:0.005 Lux; 0 Lux with IR/white light
Shutter Speed	1/3 to 1/10000 s
Slow Shutter	Yes
Day & Night	IR Cut Filter
Day/Night Switch	Unified/ Scheduled/ Auto
Lens	
Focal Length	4 mm
Aperture	F1.6
Focus	Fixed
FOV	Horizontal FOV: 80°, Vertical FOV: 43°, Diagonal FOV: 94°
Lens Mount	M12X0.5
Angle Adjustment (Manual)	
Range	Pan: 0° to 348°, Tilt: 0° to 120°
PTZ	
Pan/Tilt Range	Pan: 0° to 348°, Tilt: 0° to 120°
Pan Speed	Configurable from 8° to 44°/s; Preset Speed: 44°/s
Tilt Speed	Configurable from 8° to 44°/s; Preset Speed: 44°/s
Manual Control Speed	Configurable from 8° to 35°/s
Presets	300
Patrol Scan	8 patrols, up to 8 presets for each patrol
Power-off Memory	Yes. Auto restore to previous PTZ and lens status after power failure
Park Action	Yes. Preset; Patrol Scan
3D Positioning	Yes

Illuminator	
IR LED	Quantity: 2 Range: 30m; Wavelength: 850nm
White LED	Quantity: 2 Range: 30m
Illuminator On/Off Control	Auto/Scheduled/Always on/Always off
Video	
Max. Resolution	2560 X 1440
Main Stream	<ul style="list-style-type: none"> • Frame Rate: 50Hz: 1fps, 5fps, 10fps, 15fps, 20fps, 25fps 60Hz: 1fps, 5fps, 10fps, 15fps, 20fps, 25fps, 30fps • Resolution: 2560x1440, 2304x1296, 2048x1280, 1920x1080, 1280x720 <p>Note: If the image rotation is set to 90° or 270°, the frame rate only supports up to 20fps..</p>
Sub-Stream	<ul style="list-style-type: none"> • Frame Rate: 50Hz: 1fps, 5fps, 10fps, 15fps, 20fps, 25fps 60Hz: 1fps, 5fps, 10fps, 15fps, 20fps, 25fps, 30fps • Resolution: 640x480, 352x288, 320x240 <p>Note: If the image rotation is set to 90° or 270°, the frame rate only supports up to 20fps.</p>
Bit Rate Control	CBR, VBR
Video Compression	Main Stream: H.265+/H.265/H.264+/H.264 Sub-Stream: H.265/H.264
H.264 Type	High Profile
H.264+	Main Stream Supported
H.265 Type	Main Profile
H.265+	Main Stream Supported
Video Bit Rate	Main Stream: 256 Kbps to 3 Mbps Sub-Stream: 64 Kbps to 512 Kbps

Image	
Image Enhancement	BLC/3D DNR/HLC/SmartIR
Image Settings	<ul style="list-style-type: none"> • Mirror • Brightness • Contrast • Saturation • Sharpness • Exposure, WDR, • White Balance • Prevent Overexposure to Infrared Light • HLC Adjustable by Client Software • Rotation (90°/270°)
Wide Dynamic Range	DWDR
SNR	≥ 52 dB
Image Parameters Switch	Yes
Privacy Mask	Up to 4 Masks
ROI	1 Region
OSD Setting	Yes
Audio	
Audio Communication	Two-Way Audio
Audio Input	Yes
Audio Output	Yes
Audio Compression	Yes
Audio Sampling Rate	8KHz
Environment Noise Filtering	Yes
Audio Bit Rate	64 Kbps(G.711 alaw)
4G	
Standard	LTE-TDD/LTE-FDD/WCDMA
SIM Type	Nano SIM
Category	4
Frequency	LTE-FDD: B 1/3/5/7/8/20/28 LTE-TDD: B 38/40/41 WCDMA: B 1/5/8

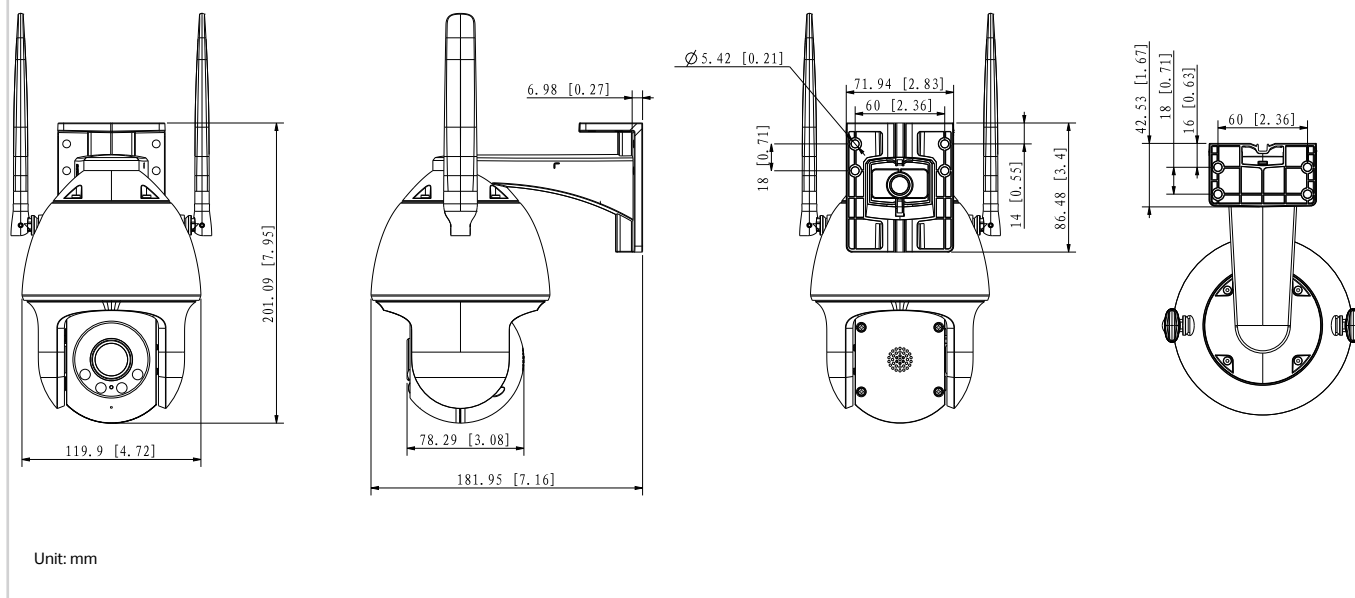
Network	
Protocols	TCP/IP, UDP, ICMP, HTTP, HTTPS, DHCP, DNS, RTSP, NTP, UPnP UDP, SSL/TLS, FTP/SFTP, RTP, IPv4, ARP
API	Open Network Video Interface (Profile S)
Web Browser	Google Chrome® 57 and above Firefox® 52 and above Safari® 11 and above Microsoft® Edge 91 and above
Security	Password Protection, HTTPS Encryption, IP Address Filter, Digest Authentication
Simultaneous Live View	2 Main Streams & 2 Sub-Streams
Client	VIGI App, VIGI Security Manager, VIGI NVR (for local management only), Web
Cloud	Yes
ONVIF	Yes
Interface	
Network Interface	1 RJ45 10/100M Self-Adaptive Ethernet Port
On-board Storage	Built-In Memory Card Slot, Support MicroSD Card, Up to 512 GB
Built-in Nano-SIM Card Slot	Yes
Built-in Speaker	Yes
Built-in Microphone	Yes; Records Anything Going on within a 15-ft Radius of the Camera
Audio	N/A
Alarm	N/A
Reset Button	Yes

Alarm and Event Management

Smart Event	<ul style="list-style-type: none">• Human & Vehicle Classification• Intrusion Detection• Line-Crossing Detection• Region Entering Detection• Region Exiting Detection• Object Abandoned Detection• Object Removal Detection• Abnormal Sound Detection• People Detection• Vehicle Detection
Basic Event	<ul style="list-style-type: none">• Motion Detection• Video Tampering Detection• Exception (Illegal Login)
Alarm Linkage	<ul style="list-style-type: none">• Memory Card Video Recording• Message Push• Audible Warning• White Light Flashing
Linkage Method	N/A
Output Notification	Message Push
General	
Operating Temperature	-30–60 °C
Storage Temperature	-40–60 °C
Operating Humidity	95% or Less (Non-Condensing)
Storage Humidity	95% or Less (Non-Condensing)
Power Supply	12V DC/1A, 5.5mm Coaxial Power Plug
Material	Plastic
Protection	IP66

<p>Antenna</p>	<ul style="list-style-type: none"> • Quantity: 2 • Type: 690~960&1710~2690MHz Dipole Omni-Directional Antenna • Gain: Ant1: 0.84dBi@690~960MHz, 2.85dBi@1710~2690MHz Ant2: 0.74dBi@690~960MHz, 3.06dBi@1710~2690MHz
<p>Product Dimensions (L x W x H)</p>	<p>120 × 182 × 201 mm (excluding antennas)</p>
<p>Package Contents</p>	<ul style="list-style-type: none"> • VIGI Network Camera • Quick Start Guide • Waterproof Cable Attachments • Mounting Accessories • Power Adapter
<p>Net Weight</p>	<p>0.69KG</p>
<p>Gross Weight</p>	<p>1.16KG</p>
<p>Certifications</p>	<p>CE, RCM, BSMI, RoHS, NCC</p>

Dimensions



**SIM card and mounting pole are not provided in the package.

Calculations based on laboratory testing using VIGI cameras. Actual performance may vary according to the amount of activity recorded, resolution, and other variables.

Specifications are subject to change without notice and can be found at www.tp-link.com.

©2024 TP-Link