

## Product Highlights

### Robust Design

High EMC endurance, fanless design, and a wide operating temperature range combined with IP30 housing to withstand harsh operating environments.

### Industrial Deployment

Compact, plug-and-play form factor design that supports DIN rail mounting to allow for flexible and swift deployment.

### Flexible Availability

8 Gigabit Ethernet PoE ports for various network deployments, in addition to 2 SFP uplink ports for long distance connections.



## DIS-100G-10P

# 10-Port Gigabit Industrial Unmanaged PoE Switch

## Key Features

### Adaptable Application

- SFP ports for long distance connections
- Extend PoE transmission up to 250 metres with data rates of up to 10 Mbps
- Plug-and-play installation

### Power Over Ethernet

- 8 PoE ports
- 802.3af/at, up to 30W per port
- 240W PoE power budget

### Robust and High-Redundancy Design

- Fanless, passive cooling design
- Industrial-grade operating temperature (-40 - 75°C)
- High EMS endurance
- Durable IP30-rated housing
- Dual power input for redundant power supplies
- Built-in 6 KV surge protection on copper ports

### Advanced Features

- 9K jumbo frames
- IEEE 802.3az Energy Efficient Ethernet
- Power saving by link status

The DIS-100G-10P 10-Port Gigabit Industrial Unmanaged PoE Switch features a robust design making it ideal for deployment in industrial and outdoor cabinet surveillance settings and capable of withstanding the harshest environments. In addition, the DIS-100G-10P is plug-and-play, allowing for effortless and swift deployment.

## Durable, Reliable, and Efficient

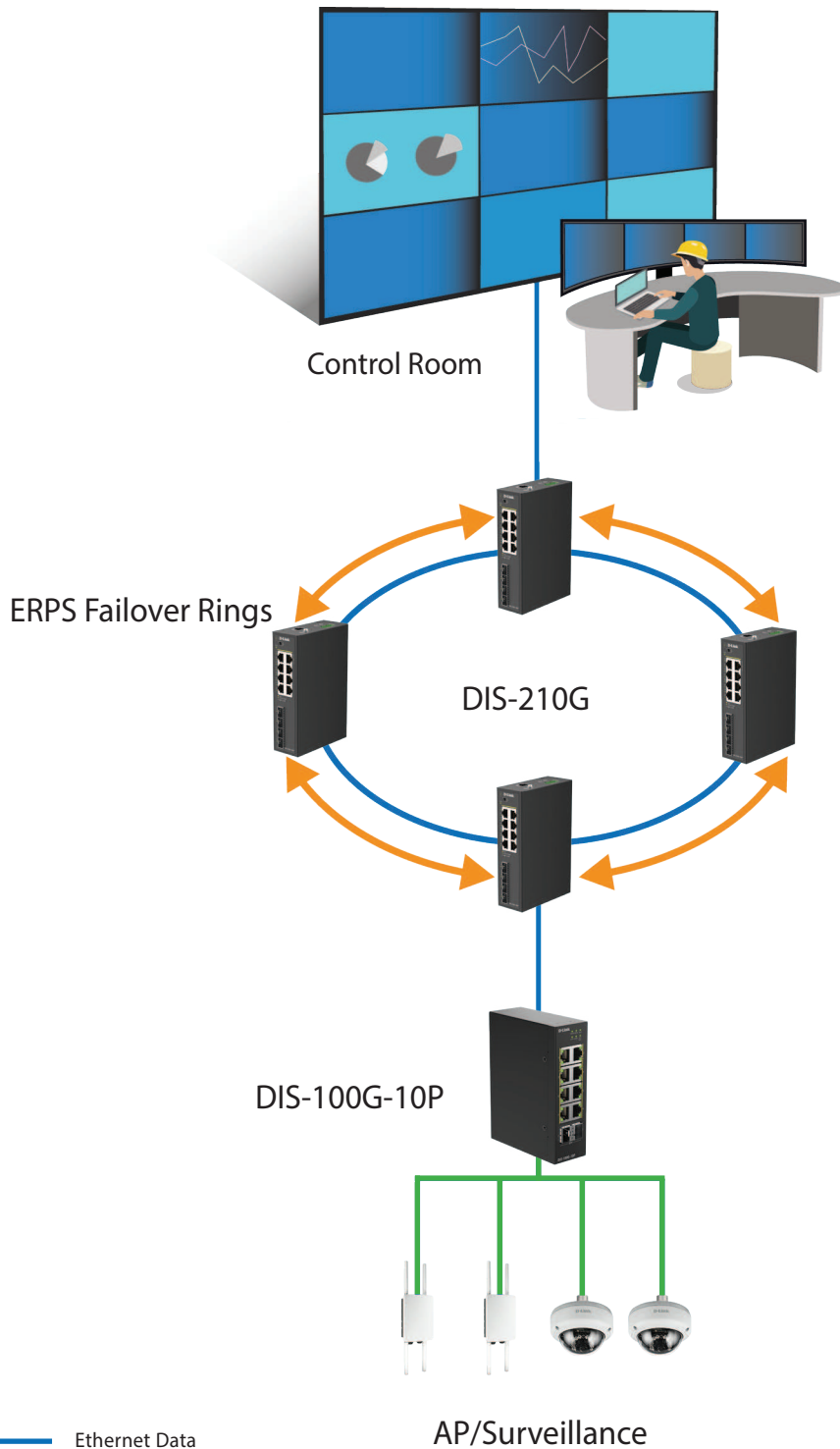
The DIS-100G-10P is housed in a highly resistant IP30-rated metal casing to protect the switch from harsh environmental conditions. High electromagnetic susceptibility (EMS) protects the DIS-100G-10P from undesirable effects when operating in environments with strong electromagnetic interference. Meanwhile, the fanless design extends the life of the DIS-100G-10P while also enabling them to operate in a wide temperature range from -40 °C up to 75 °C. With DIN rail mounting capability, the DIS-100G-10P can fit seamlessly into your industrial equipment infrastructure. In addition, the DIS-100G-10P supports dual power input, which allows for a redundant power supply configuration to make sure the switch continues to operate in the event of a primary power supply failure.

## Power Over Ethernet

The DIS-100G-10P is compliant with both IEEE 802.3af and IEEE 802.3at PoE standards and delivers up to 30 watts of power per port along with data on standard Ethernet cabling. The switches can be used to power any IEEE 802.3af/at compliant PoE PD devices, which eliminates the need for additional wiring.

## Green Ethernet Technology

The DIS-100G-10P features green technology; IEEE 802.3az Energy-Efficient Ethernet (EEE). Energy-Efficient Ethernet reduces the power consumption of the switch when network utilisation is low, effectively lowering the cost of ownership during periods of inactivity.



— Ethernet Data  
— Ethernet Data + PoE

## Technical Specifications

Technical Specifications		
Hardware Version	A1	
Interfaces	• 8 x GE PoE ports	• 2 x 1G SFP ports
Port Functions	• IEEE 802.3 for Ethernet • IEEE 802.3u for Fast Ethernet	• IEEE 802.3z for Gigabit fiber • IEEE 802.3az Energy-Efficient Ethernet (EEE)
Media Interface Exchange	Auto MDI/MDIX adjustment for all twisted-pair ports	
Performance		
Switching Capacity	20 Gbps	
Transmission Method	Store-and-forward	
MAC Address Table	4K	
Maximum 64 Byte Packet Forwarding Rate	14.88 Mpps	
Packet Buffer Memory	2 Mbits	
PoE		
PoE Standards	IEEE 802.3af/at	
PoE Capable Ports	8 (Ports 1–4 support PoE transmission up to 250 metres at data rates of 10 Mbps. Cat 5e or Cat 6 cables should be used for this application. The extended distance may be affected by the environment, cable quality, and connected devices.)	
PoE Power Budget	• 240 W	• 30 W per port
LEDs		
Power (per device)	√	
Link/Active/Speed (per RJ-45 port)	√	
Link/Active/Speed (per SFP port)	√	
Physical		
Power Input	48 to 57 VDC terminal block dual input	
Maximum Power Consumption	Maximum: 244.86 W (w/ PoE)	4.86 W (w/o PoE)
Standby Power Consumption	Maximum: 0.54 W	
Heat Dissipation	837.704 BTU/hr	
MTBF	> 200,000 hours	
Operating Temperature	-40 to 75°C	
Storage Temperature	-40 to 85°C	
Operating Humidity	5% to 95% relative humidity	
Storage Humidity	5% to 95% relative humidity	
Material	IP30-rated metal casing	
Installation	DIN rail	
Dimensions (L x W x H)	130.60 x 99.00 x 44.00 mm	
Weight	0.44 kg	
Certifications		
Safety	cUL, CB, CE, BSMI	
EMI	CE Class A, VCCI Class A, FCC Class A, IC, BSMI, RCM	
Optional SFP Transceivers		
DIS-S301SX	1000BASE-SX, multi-mode, 550 m, -40 to 85 °C operating temperature	
DIS-S302SX	1000BASE-SX, multi-mode, 2 km, -40 to 85 °C operating temperature	
DIS-S310LX	1000BASE-LX, single-mode, 10 km, -40 to 85 °C operating temperature	

For more information: [www.dlink.com](http://www.dlink.com)

D-Link (Deutschland) GmbH, Schwalbacher Strasse 74, 65760 Eschborn, Germany  
D-Link (Europe) Ltd, 3rd Floor, 166 College Road, Harrow, London, HA1 1BH, United Kingdom

Specifications are subject to change without notice. D-Link is a registered trademark of D-Link Corporation and its overseas subsidiaries. All other trademarks belong to their respective owners. ©2025 D-Link Corporation. All rights reserved. E&OE.

A1 v1.00 EU

**D-Link**