

Full-Color

Dome Network Camera

MODEL: VIGI C250(2.8/4mm)



5MP | H.265+

VIGI C250(2.8/4mm)



People & Vehicle
Analytics*



Human & Vehicle
Classification



Smart Detection



True WDR



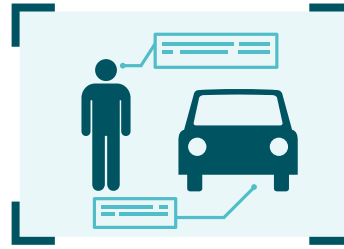
Built-In Microphone



Onboard Storage**

// People & Vehicle Analytics

Quickly find people or vehicles of interest using various attributes, greatly improve your search efficiency*.



// Human & Vehicle Classification

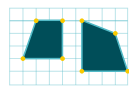
Intelligently distinguishes humans and vehicles from other objects, so you receive more accurate event notifications.



// Smart Detection



Motion Detection



Region Intrusion



Object Removal Detection



Object Abandoned Detection



Region Exiting Detection



Region Entering Detection



Line-Crossing



Scene Change Detection



Loitering Detection



Camera Tampering

// SmartVid



Smart IR

Keeps objects from being under-rendered when far away or overexposed when close to camera at night.



120dB WDR

Enables crystal-clear images in high contrast scenes.



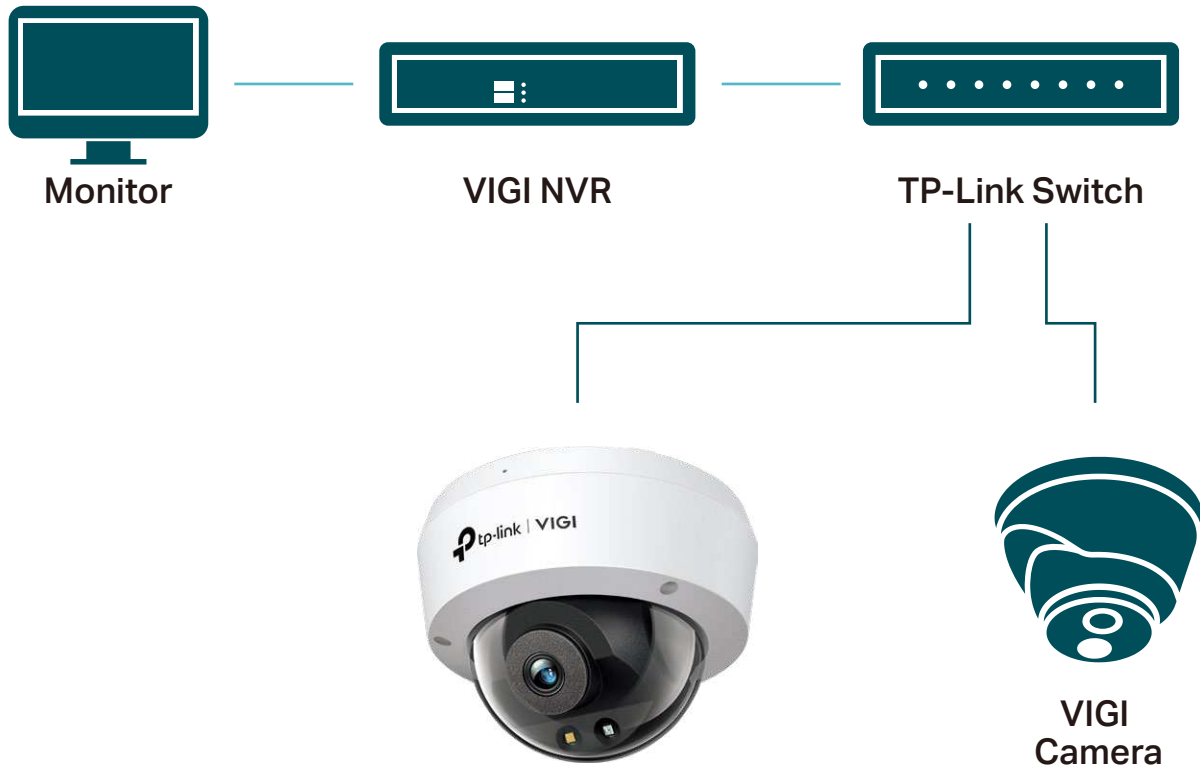
3D DNR

Removes abnormal pixelation to provide clearer video and eliminate distortion.

// VIGI Surveillance Solution

The VIGI professional surveillance system by TP-Link is dedicated to protecting the business that you've worked hard to build—whenever, wherever.

Outstanding functions, reliable quality guarantees, and simplified installation work together to ensure your business stays safe and sound.



// Flexible Installation

Easily route your camera's cable into a dropped ceiling or avoid drilling by slotting it through the camera's side outlet.



// Specifications

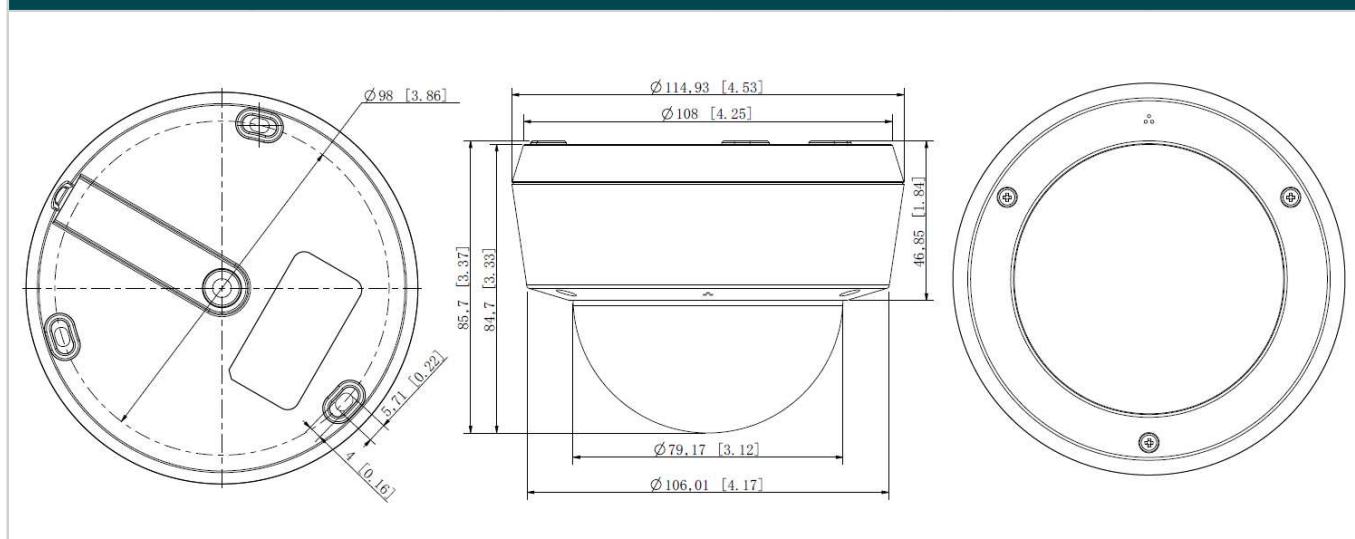
| Camera | | | | | |
|----------------------------|--------|---|------------------|-----------------|----------------|
| Product Model | | VIGI C250 | | | |
| Image Sensor | | 1/2.7" Progressive Scan CMOS | | | |
| Shutter Speed | | 1/3 to 1/10000 s | | | |
| Slow Shutter | | Yes | | | |
| Min. Illumination | | 0.005 Lux; 0 Lux with IR/white light | | | |
| Day & Night | | IR Cut Filter | | | |
| Day/Night Switch | | Day/Night/Auto/Schedule-Switch | | | |
| Lens | | | | | |
| Type | | Fixed Focal Lens | | | |
| Focal Length | | 2.8 mm/4 mm | | | |
| Aperture | | 2.8 mm: F1.6 4 mm: F1.6 | | | |
| FOV | | 2.8mm: Horizontal FOV: 109°, Vertical FOV: 57°, Diagonal FOV: 128° 4mm: Horizontal FOV: 90°, Vertical FOV: 48°, Diagonal FOV: 107° | | | |
| Lens Mount | | M12*P 0.5 | | | |
| DORI Distance | Lens | Detect | Observe | Recognize | Identify |
| | 2.8 mm | 64 m (209 ft) | 27 m (87 ft) | 13 m (42 ft) | 6 m (21 ft) |
| | 4 mm | 80 m (262 ft) | 33 m (109 ft) | 16 m (52 ft) | 8 m (26 ft) |
| Angle Adjustment (Manual) | | | | | |
| Range | | Pan: 0° to 360°, Tilt: 0° to 85° | | | |
| Illuminator | | | | | |
| IR LED | | Quantity: 1 Range: 30m Wavelength: 850nm | | | |
| White LED | | Quantity: 1 Range: 30m | | | |
| Illuminator On/Off Control | | Auto/Scheduled/Always on/Always off | | | |
| Video | | | | | |
| Max. Resolution | | 2880 X 1620 | | | |

| | |
|-------------------------|---|
| Main Stream | <p>Frame Rate 50Hz: 1fps, 5fps, 10fps, 15fps, 20fps, 25fps 60Hz: 1fps, 5fps, 10fps, 15fps, 20fps, 25fps, 30fps</p> <p>Resolution: 2880x1620, 2688x1520, 2304x1296, 2048x1280, 1920x1080, 1280x720</p> <p>Note: If the image rotation is set to 90° or 270°, the frame rate only supports up to 20fps.</p> |
| Sub-Stream | <p>Frame Rate: 50Hz: 1fps, 5fps, 10fps, 15fps, 20fps, 25fps 60Hz: 1fps, 5fps, 10fps, 15fps, 20fps, 25fps, 30fps</p> <p>Resolution: 704x576, 640x480, 352x288, 320x240</p> <p>Note: If the image rotation is set to 90° or 270°, the frame rate only supports up to 20fps.</p> |
| Bit Rate Control | CBR, VBR |
| Video Compression | Main Stream: H.265+/H.265/H.264+/H.264 Sub-Stream: H.265/H.264 |
| H.264 Type | Main Profile/High Profile |
| H.264+ | Main Stream Supported |
| H.265 Type | Main Profile |
| H.265+ | Main Stream Supported |
| Video Bit Rate | Main Stream: 256 Kbps to 6 Mbps Sub-Stream: 64 Kbps to 512 Kbps |
| Image | |
| Image Settings | Mirror, Brightness, Contrast, Saturation, Sharpness, Exposure, WDR, White Balance, Prevent Overexposure to Infrared Light, HLC Adjustable by Client Software, Rotation(90°/270°) |
| Image Enhancement | BLC/3D DNR/HLC/SmartIR |
| Wide Dynamic Range | 120 dB |
| SNR | ≥ 52 dB |
| Image Parameters Switch | Yes |
| Privacy Mask | Up to 4 Masks |
| ROI | 1 Region |
| OSD Setting | Yes |
| Audio | |
| Audio Communication | N/A |
| Audio Input | Yes |
| Audio Output | N/A |
| Audio Compression | Yes |

| | |
|-----------------------------------|---|
| Audio Sampling Rate | 8KHz |
| Environment Noise Filtering | Yes |
| Audio Bit Rate | 64 Kbps(G.711 alaw) |
| Network | |
| Protocols | TCP/IP, UDP, ICMP, HTTP, HTTPS, DHCP, DNS, RTSP, NTP, UPnP, UDP, SSL/TLS |
| Network Storage | NAS (NFS, SMB/ CIFS) |
| API | Open Network Video Interface (Profile S) |
| Web Browser | Google Chrome® 57 and above Firefox® 52 and above Safari® 11 and above Microsoft® Edge 91 and above |
| Security | Password Protection, HTTPS Encryption, IP Address Filter, Digest Authentication |
| Simultaneous Live View | 3 Main Streams & 3 Sub-Streams |
| Client | VIGI App, VIGI Security Manager, VIGI NVR, Web |
| Cloud | Yes |
| ONVIF | Yes |
| Interface | |
| Network Interface | 1 RJ45 10/100M Self-Adaptive Ethernet Port, PoE |
| On-board Storage | Built-In Memory Card Slot, Support MicroSD Card, Up to 256 GB |
| Built-in Speaker | Yes |
| Built-in Microphone | Yes; Records Anything Going on within a 15-ft Radius of the Camera |
| Audio | N/A |
| Alarm | N/A |
| Reset Button | Yes |
| Power | DC Power Port |
| Alarm and Event Management | |
| Smart Event | Human & Vehicle Classification, Area Intrusion Detection, Line-Crossing Detection, People Detection, Vehicle Detection, Region Entering Detection, Region Exiting Detection, Object Abandoned Detection, Object Removal Detection , Loitering Detection |
| Basic Event | Motion Detection, Video Tampering Detection, Exception (Illegal Login), Scene Change Detection |
| Alarm Linkage | Memory Card Video Recording, Message Push,, White Light Flashing |
| Linkage Method | N/A |
| Output Notification | Message Push |
| Deep Learning Function | |
| Multi-Target-Type Detection | Supports Simultaneous Detection and Capture of Human Body and Vehicle |

| | | |
|--------------------------------|--|-------|
| Face Capture | N/A | |
| Face Comparison | N/A | |
| General | | |
| Operating Temperature | -30–60 °C | |
| Storage Temperature | -40–60 °C | |
| Operating Humidity | 95% or Less (Non-Condensing) | |
| Storage Humidity | 95% or Less (Non-Condensing) | |
| Power Supply | 12V DC ± 5%, 5.5mm Coaxial Power Plug PoE (802.3af/at, class 0) | |
| Power Consumption | Maximum | 7 W |
| | Typical (Day Mode) | 1.5 W |
| | Typical (Night Mode with IR LED) | 2.5 W |
| | Typical (Night Mode with White LED) | 2.8 W |
| Material | Plastic | |
| Protection | IP67, IK10 | |
| Product Dimensions (L x W x H) | Φ115 x 85.7 mm | |
| Package Contents | VIGI Network Camera Quick Start Guide Waterproof Cable Attachments Mounting Accessories | |
| Net Weight | 0.28 Kg | |
| Gross Weight | 0.47 Kg | |
| Certifications | CE, NTRA, VCCI, KC, BSMI, FCC, IC | |

Dimensions



*SD card is not included in the package.

Specifications are subject to change without notice and can be found at www.tp-link.com.

©2023 TP-Link