

MSpeaker II

Introduction

Yealink MSpeaker II is specially designed for video conferencing room, to award you a better sound in a meeting room. It has two built-in speakers, providing powerful output to cover middle even large meeting room. Working with Yealink microphone and Yealink Noise Proof Technology, it brings a crystal and vivid audio experience to everyone.

MSpeaker II supports PoE, which enables simple and easy deployment, in this way, power supply, audio data transmission and signal control unifies as one, sharply reducing the complex installation procedures as well as the costly expenses. And MSpeaker II also supports 3.5mm AUX input to be compatible with more video conferencing solution.



Specification

Parameter	Description
Audio Output	<ul style="list-style-type: none"> · Stereo speakers · Frequency respond: 100Hz-20KHz · S/N: ≥ 70dB · RMS: 10W · 87db @ 1m
Audio Input	<ul style="list-style-type: none"> · 1 x VCH (RJ45), supports PoE (802.3af) · 1 x 3.5mm Line-in
Other Interfaces	<ul style="list-style-type: none"> · Built-in Bluetooth (for future use) · Power Input: <ul style="list-style-type: none"> - DC 48V/0.7A - PSE 54V $\overline{\text{-----}}$0.56A or PoE 48V $\overline{\text{-----}}$0.27A

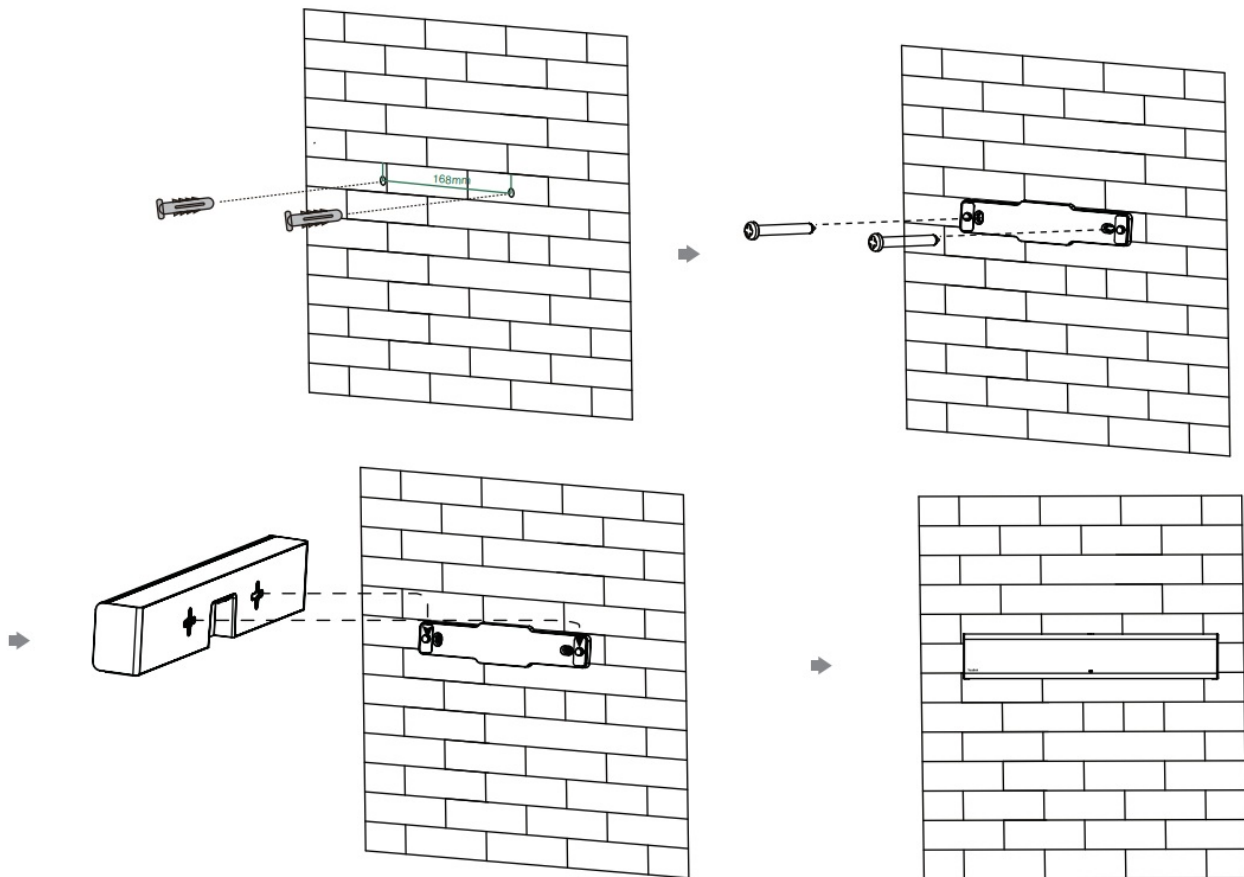
<p>Physical Features</p>	<ul style="list-style-type: none"> • Dimension (W.D.H): 500 mm x 60 mm x 86 mm • Operating humidity: 5 - 90% • Operating temperature: 0 - 40°C
<p>Package Content</p>	<ul style="list-style-type: none"> • MSpeaker II • Power Adapter • 3 m audio cable (3.5 mm) • Wall Mount Bracket • Quick Start Guide

Device Compatibility

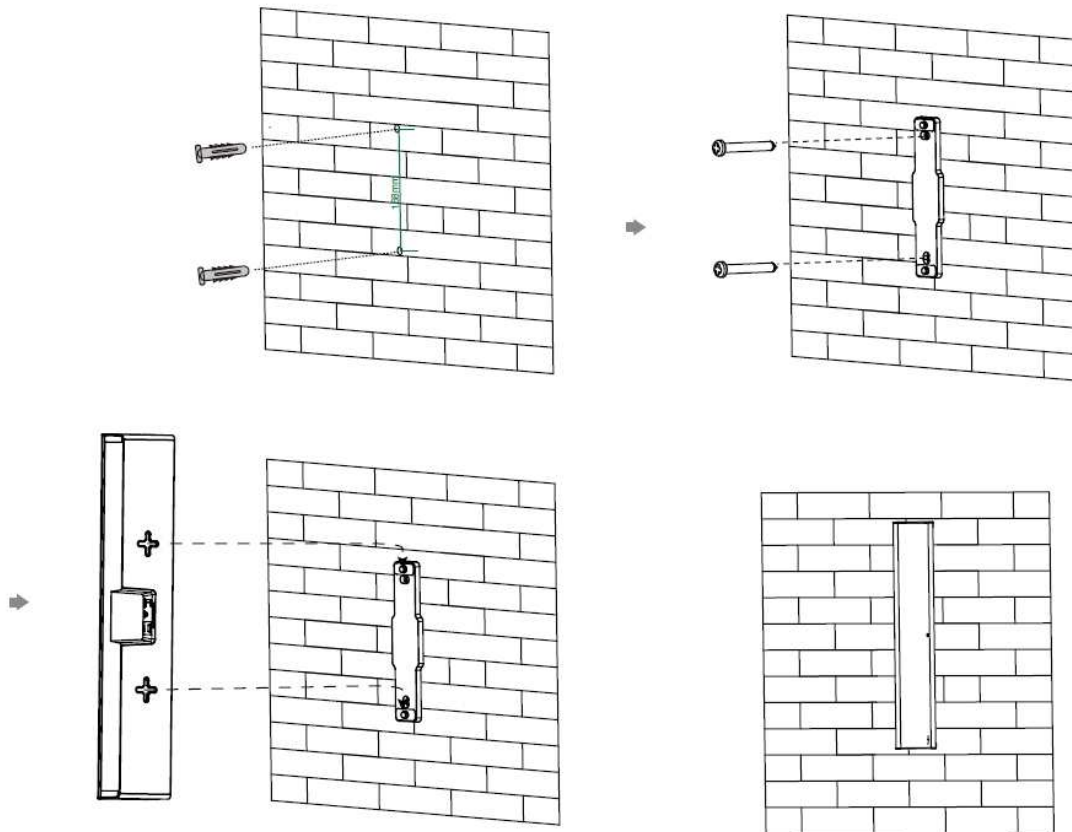
- [Teams Room Accessories Compatibility Lists](#)
- [Zoom Rooms Accessories Compatibility Lists](#)

Installation

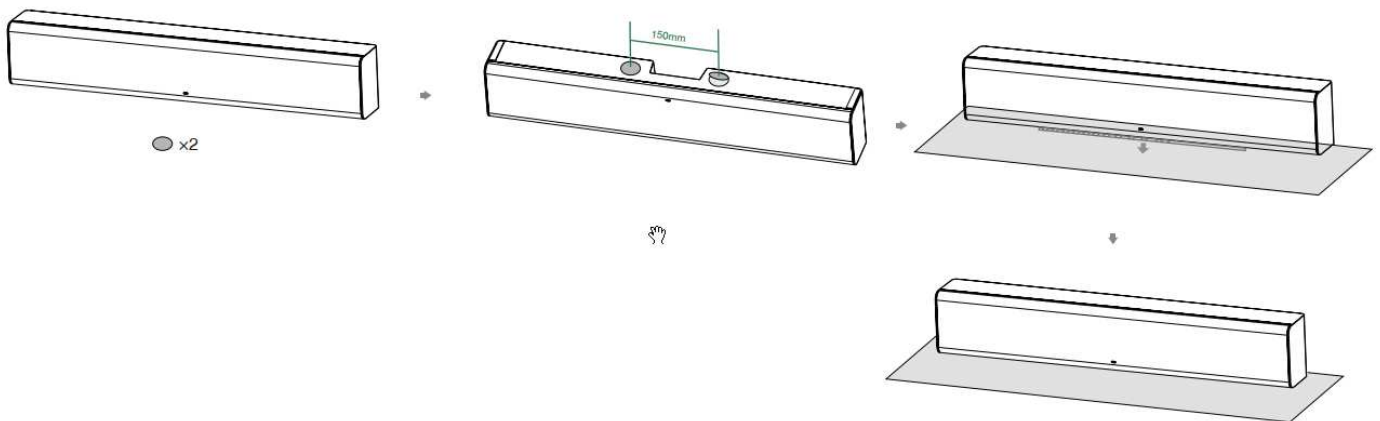
- **Mount Horizontally on the Wall**



- **Mount Vertically on the Wall**



• **Stick to the Table**



How to Use

MSpeaker II has different features when worked with different video conferencing endpoints. For more information, please refer to the corresponding documents.

Teams Version:

- Connect the MSpeaker II to MVC System: [MSpeaker II Soundbar](#)

Zoom Version:

- Connect the MSpeaker II to ZVC System: [MSpeaker II Soundbar](#)
- Connect the MSpeaker II to MeetingEye: [MSpeaker II Soundbar](#)

LED Indicator

LED Status	Description
Off	The device is power off.
Solid green	The device is active.
Fast flashing green	The device is pairing Bluetooth.
Slowly flashing green	The device connects to Bluetooth successfully.
Red and green flashing alternately for 2s	The device is in initialling.